

Tool Datasheet**Core Hole Drill:**

Order Name: „ASC10“

Price: 485CHF

Required software packages / options:

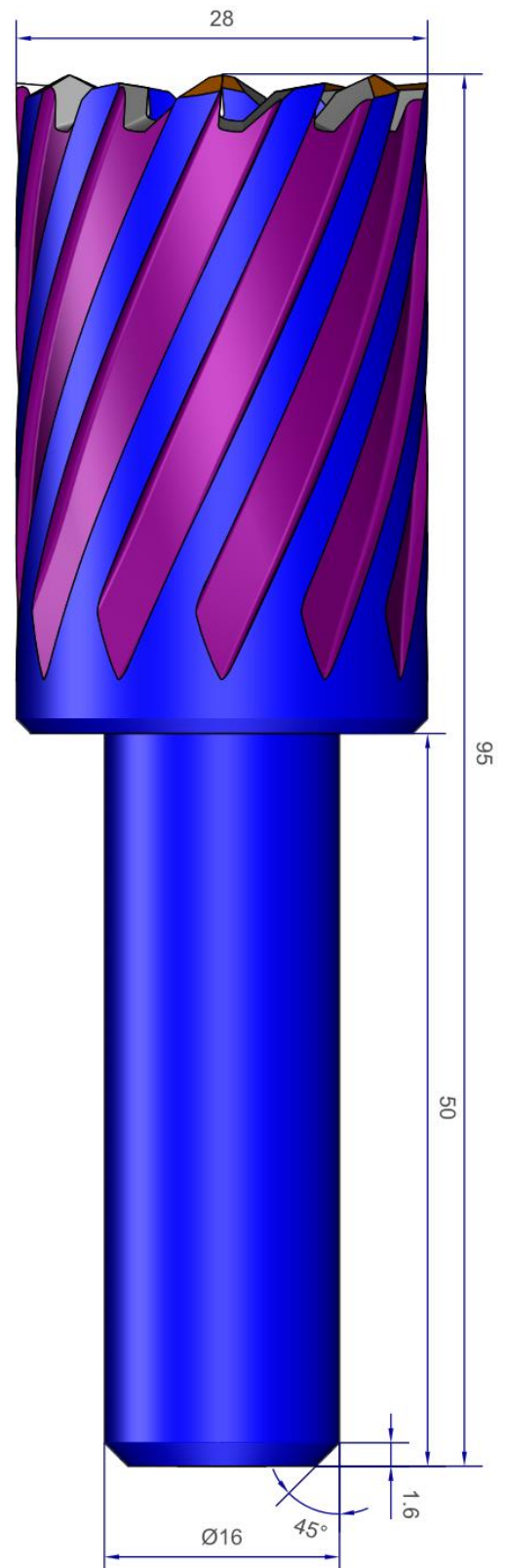
Form cutters	CH-50052150
--------------	-------------

Recommended software packages / options:

- Numroto-3D special functions  
CH-50052720

Tool details:

- See drawing



**Tool comes complete with wheels + 3D model attached.**

**--All operations, cycles, feeds, etc. are perfectly coordinated--**