

Tool Datasheet

Step Drill-6

1-step-with-cam-relief+CEC:

Order Name: „SB6“

Price: 395CHF

Required software packages / options:

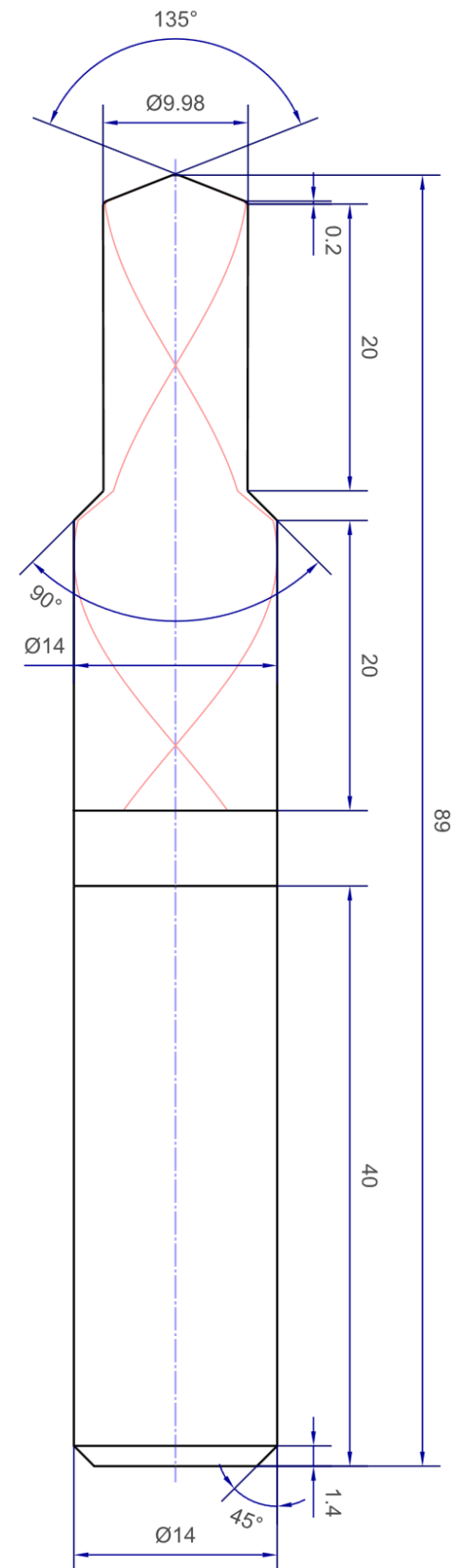
Simple drills	CH-50052370
Complex drills	CH-50052380

Recommended software packages / options:

- Numroto-3D special functions
CH-50052720

Tool details:

- See drawing



Tool comes complete with wheels + 3D model attached.

--All operations, cycles, feeds, etc. are perfectly coordinated--